

1

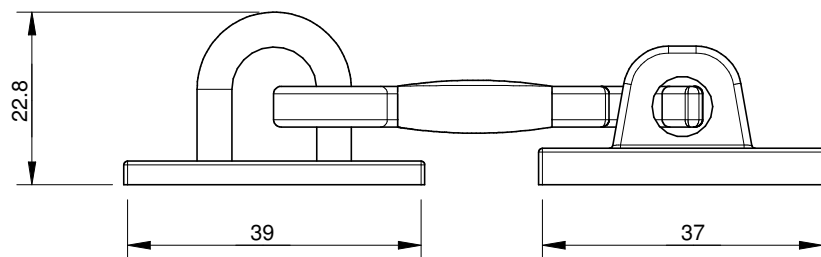
2

3

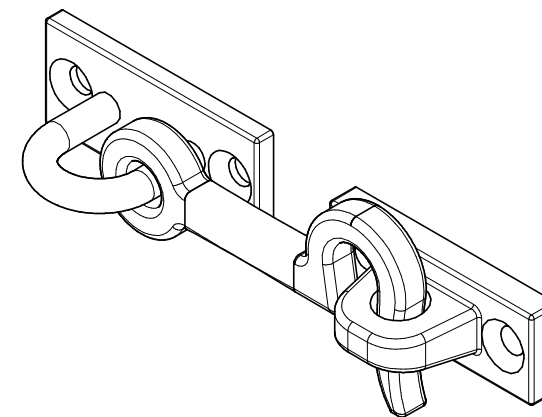
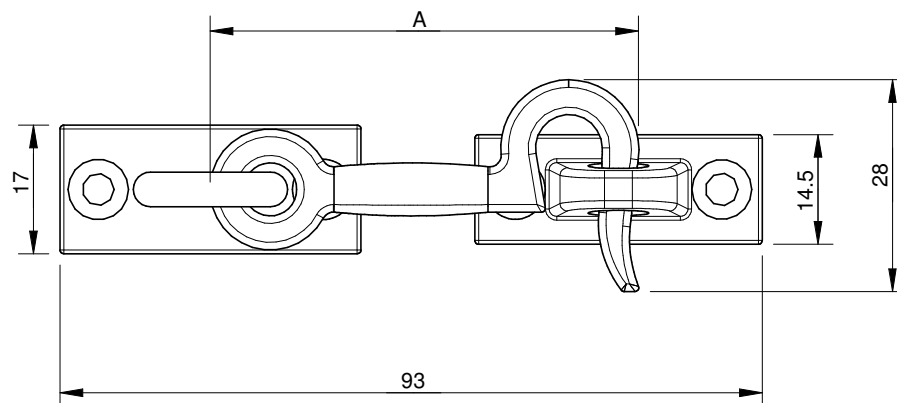
4

5

6



Product	A
276-8 50	58.5
276-8 75	83.5
276-8 100	113
276-10 150	151.7
276-10 200	201.5



Also available 75mm, 100mm, \varnothing 10Rod 150mm and 200mm

General (mm)
Tolerance

Linear
 $0.0 \pm 0.05\text{mm}$
 $0 \pm 0.2\text{mm}$

Angular
 ± 0.2

MILES NELSON

228 KITCHENER RD
MILFORD, AUCKLAND,
NEW ZEALAND.
PH: 64 9 489 7225
FAX: 64 9 489 5552

THIS DESIGN AND DRAWING IS THE COPYRIGHT
OF MILES NELSON MANUFACTURING CO LTD
AND IS NOT TO BE REPRODUCED WITHOUT
WRITTEN PERMISSION

TITLE

276 Cabin Hook

**DO NOT SCALE
IF IN DOUBT ASK**

SCALE

1:1

DRAWN BY

K.P.

APPROVED BY

DATE

DRAWING NO.

C276

SHT__OF__

ISSUE	CHANGE DESCRIPTION	DATE

A

A

B

B

C

C

D

D